



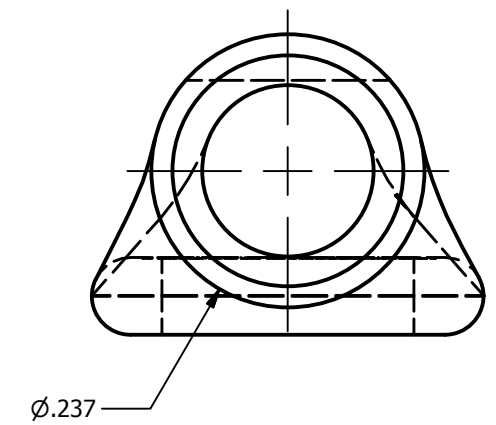
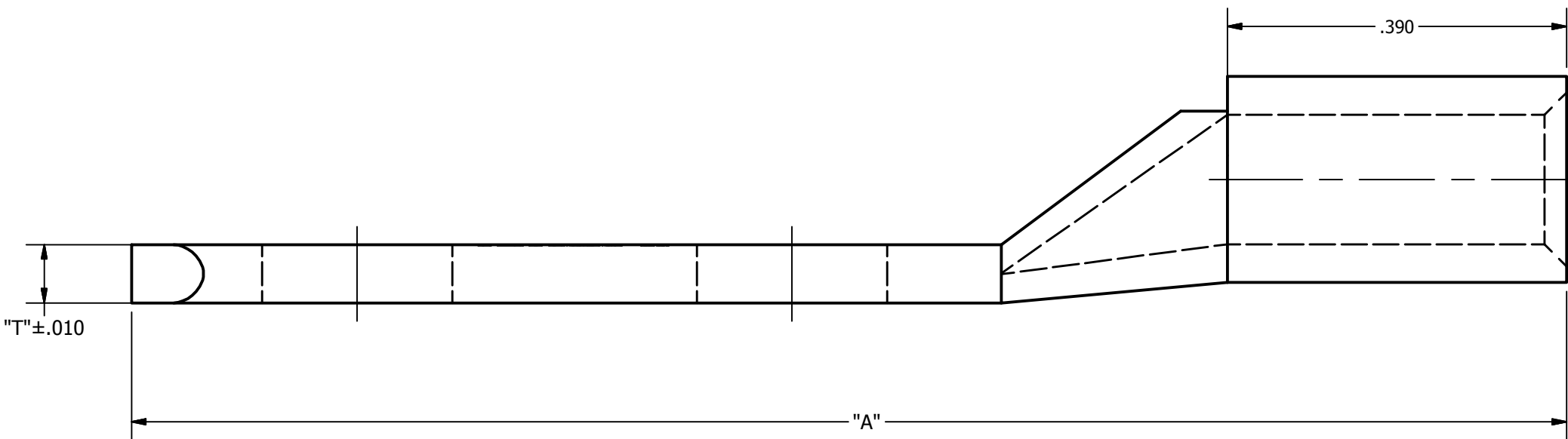
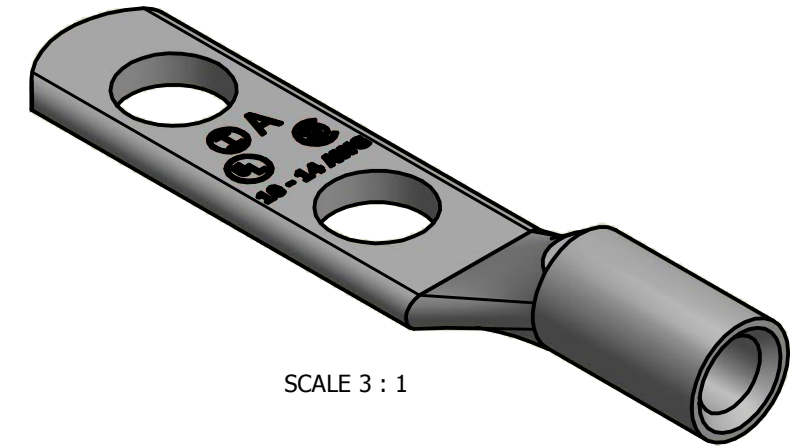
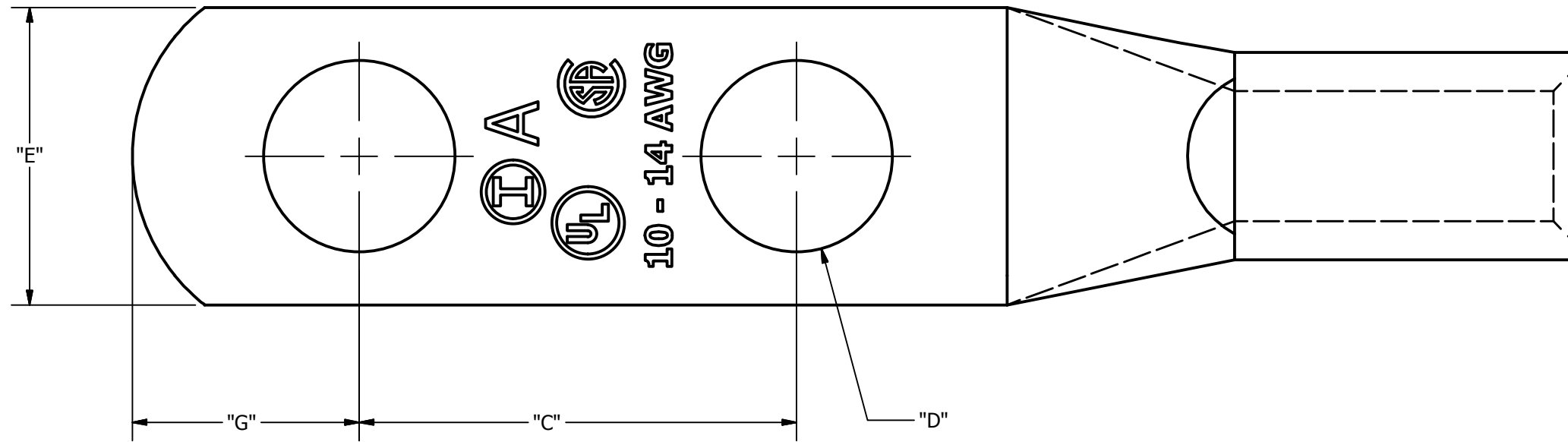
SCREW: NONE
 CAT. NO.: SEE CHART
 INFORMATION SHEET: FORM 209

MATERIAL: COPPER
 PLATING: EL-TIN
 MARKING:  A,  10-14 AWG

REV: C
 DRAWN BY: DR
 DATE: 12/2/2014
 SCALE: 6:1
 SIZE: B



DWG NO: Y0011-D
 SHEET: 1 OF 1



CAT NO.	"A"	"C"	"D"	"E" REF.	"G"	"T"
CSWD-10-10-58	1.670	0.630	0.219	0.340	0.210	0.070
CSWD-10-14-58	1.760	0.630	0.281	0.420	0.290	0.060
CSWD-10-14-12	1.760	0.500	0.281	0.420	0.290	0.060
CSWD-10-14-34	1.900	0.750	0.281	0.420	0.290	0.060
CSWD-10-14-1	2.140	1.000	0.281	0.420	0.290	0.060
CSWD-10-38-1	2.360	1.000	0.406	0.560	0.350	0.060